

Figure 3-2. RF/IF Conversion Block Diagram

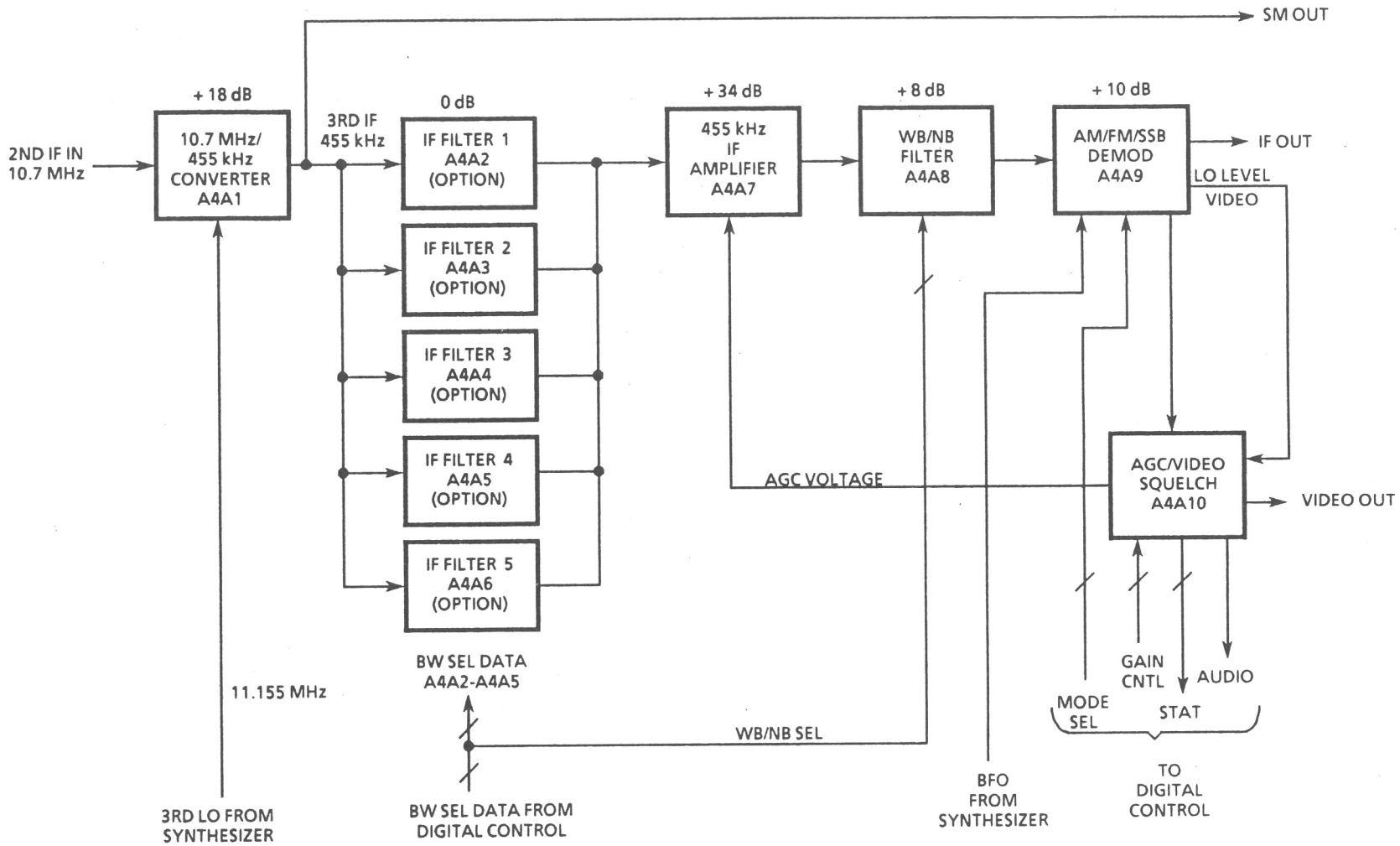
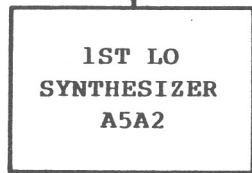


Figure 3-3. IF/Demodulator Block Diagram

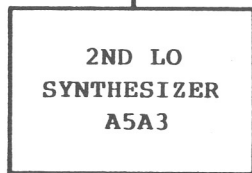
TO INPUT
CONVERTER

1ST LO OUT
42.91-72.90 MHz



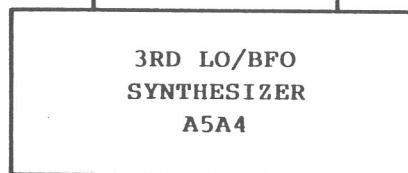
TO INPUT
CONVERTER

2ND LO OUT
32.21000-
32.20001 MHz



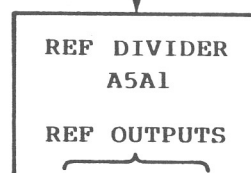
TO IF
DEMOM

3RD LO OUT
11.155 MHz



TO IF
DEMOM

BFO OUT
447-463 kHz



50 MHz
REF IN

REF IN
(20 kHz)

REF IN
(2 MHz,
8 kHz)

REF IN
(50 kHz,
5 kHz)

REF IN
(1 kHz)

14

1ST LO

TUNING DATA FROM
DIGITAL CONTROL

12

2ND LO

TUNING DATA FROM
DIGITAL CONTROL

9

BFO

TUNING DATA FROM
DIGITAL CONTROL

Figure 3-4. Synthesizer Block Diagram